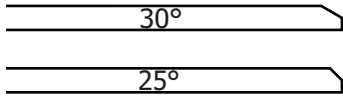


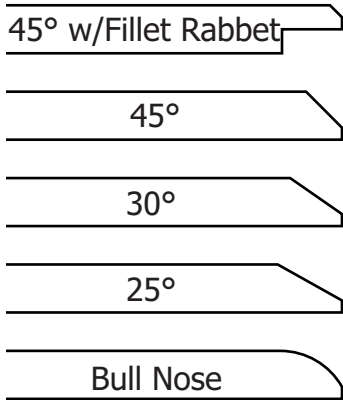
Raphael's Ultralight Panel Edge Details

To help you visualize the edge details available on our panels, we have created these drawings which show the actual LDF thickness and how the various details will appear on each. These details are the most popular amongst all of the panels we have produced. If there is something you need that is not shown below, please call as we have many other possibilities. Also remember that these are only to show the edge designs, the border widths are unlimited within outside dimensions no greater than 49" x 97". Larger sizes are also available with special alterations and design fees.

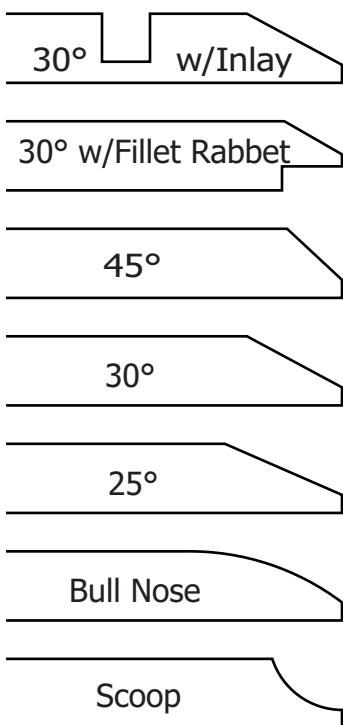
1/8" Thickness



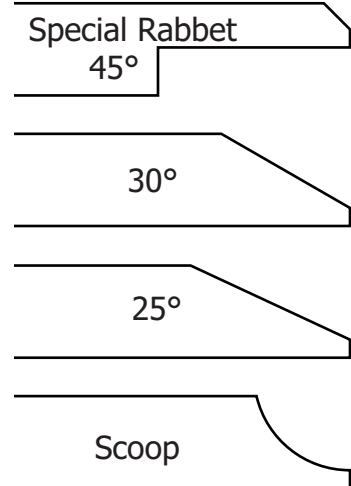
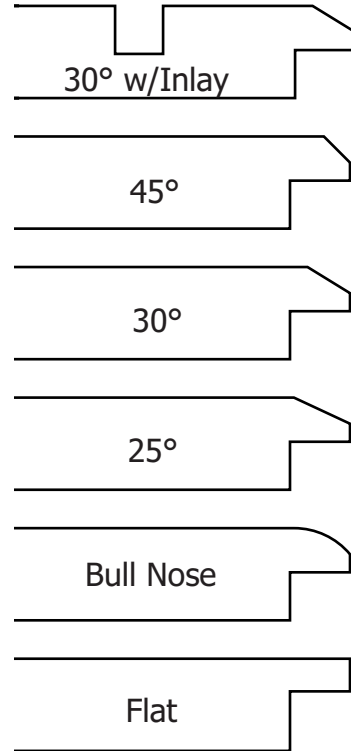
1/4" Thickness



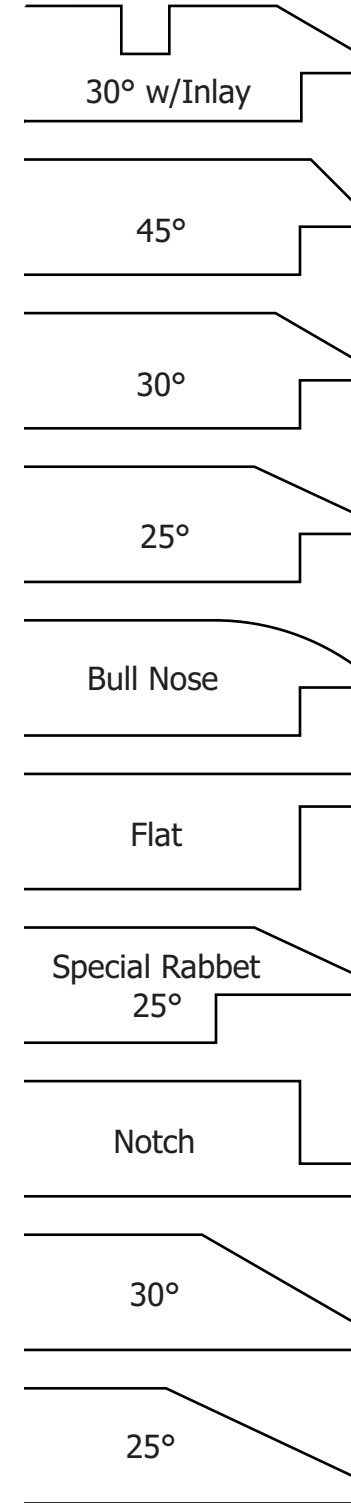
3/8" Thickness



1/2" Thickness



5/8" Thickness



3/4" Thickness

